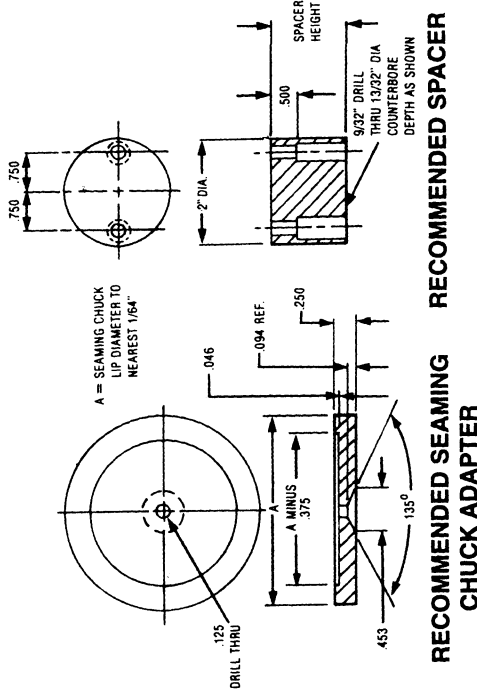


FORCE CONTROLS company

The industrial force/strain measuring/controlling systems specialists

SPACERS AND SEAMING CHUCK ADAPTORS

The gage is supplied complete with case and loading wrench. However the seaming chuck adaptor and spacer need to be ordered separately. The seaming chuck adaptor and spacer allows the force gage to fit in the seamer in such a way that the three together simulates a can of the same height that is being closed on the seamer. Determining the length of the spacer to order is easy. Just take the height of the can size that you are using and subtract three inches for the models 1060CS and 1050CS. Subtract 4.25 inches for the 8060CS. The remainder is the height of the spacer to order. Determining the "A" dimension that is needed to order a seaming chuck adaptor is just as easy. The "A" dimension is the same as the diameter of the can being used. Cans are normally referred to as a 401X504 or a 603X510, etc. This means that in the first example, the diameter is 4 1/16" and the diameter is 5 1/4". The first number (4) is inches. The second (01) is the number of 1/16ths. Hence 4 1/16". This is a standard in the canning industry, and will assist you in determining the "A" dimension without having to measure the can that you are planning to use with the gage.



RECOMMENDED SEAMING CHUCK ADAPTER

New Cell Warranty: Any repairs needed on new cells within 120 days of invoice will, be performed at no charge.

Recalibration and repairs	\$300.00
Complete rebuild to new condition	\$450.00
Replacement pin wrench	\$5.00
Plastic carrying case	15.00
Spacer	\$25.00
Seaming chuck adaptor	\$50.00

WARNING

Cells are not covered by warranty if external indicator adjustment screws have been unplugged and or tampered with.

Mechanical Force Gauges for Can Closing Equipment

Instruction Manual for Models

- 1050CS
- 1060CS
- 8050CS
- 8060CS



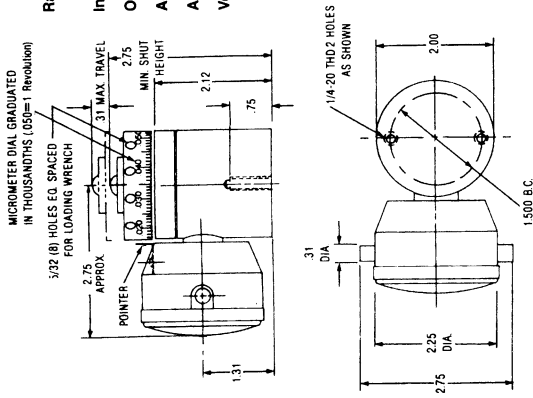
For service: Send force gage in its protective case to:

Force Controls Company
4574 Elizabeth Lake Road
Waterford, MI 48328
(248) 738-7133
FAX 738-7134

www.forcecontrols.com
email bruceabel@triton.net

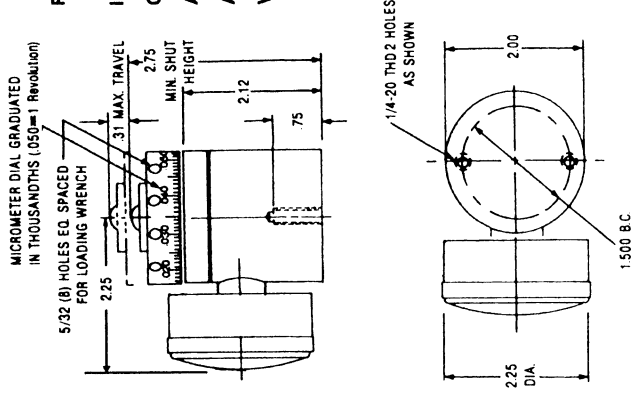
Please included contact information with the force gage

MODEL 1060CS



- Range:** 25-600 lbs.
(other ranges available)
- Increment Value:** 5 lbs. each
- Overload Capacity:** 1200 lbs.
- Accuracy:** 1% full scale
- Approx. Weight:** 3 lbs.
- Vertical Deflection:** .008" full range

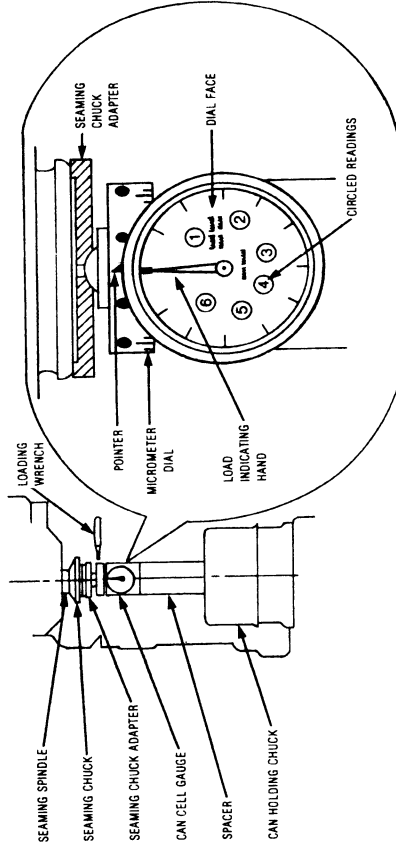
MODEL 1050CS



- Range:** 25-500 lbs.
10-230 kilos
- Increment Value:** 5 lbs. each
- Overload Capacity:** 1200 lbs.
- Accuracy:** 1% full scale
- Approx. Weight:** 3 lbs.
- Vertical Deflection:** .010" full range

INSTRUCTIONS

1. Mount the spacer on the bottom of the gauge with the screws provided.
2. Rotate the micrometer dial clockwise until the micrometer dial stops.
3. Place the seaming chuck adapter on the micrometer dial and install it in the seamer as if it were a can. Be sure that the gauge and seaming chuck adapter are aligned with the centerline of the can-closing seamer.
4. Rotate the micrometer dial counterclockwise by hand until solid contact is made with the seaming chuck.
5. Note the reading of the micrometer dial and rotate it using the loading wrench counter clock-wise .035" for spring seamers of .020" for solid seamers. Note the circled numbers on the dial face closest to the recorded load. These circled number indicate the amount the gauge has reduced 1 length in thousands of an inch. Rotate the micrometer dial again by the amount shown in the circled reading. Here is an example: For .035" deflection of a can holding chuck spring, if the load indicated hand reads 300 pounds when the micrometer dial is rotated .035", the closest circled number reading is 3. Rotate the micrometer dial an additional .003". At this position the gauge will indicate the correct lead at the corrected shut height. The actual deflection of the can closing spring is .035" even though the gauge has been rotated .038.
6. To calculate the closing force: Actual force = corrected dial reading + weight of gauge + weight of the adapter + weight of spacer. The 1060CS and 1050CS weighs 3 lbs. and the 8060CS weighs 5 lbs. Weigh your own adapter and spacer. For example: if corrected leads is 310 lbs. and adapter and spacer weigh 7 lbs. actual load + 310 + 3 + 7 = 320 lbs. for the 1060CS.



CARE OF FORCE GAGE

- Always store gage and wrench in protective case when not in use
- Do not drop the gage
- Do not tamper with openings or screws on the gage
- Try to keep the gage clean and dry
- Only the Force Controls is qualified to repair and recalibrate the force gage. Send force gage back to the factory for any repairs that may be necessary.
- Do not attempt any repairs or adjustments yourself

Please note that the Model 1060CS has been discontinued and replaced with the 1050CS. The 1060CS can still be repaired however it cannot be ordered as new. The 1050CS has incorporated many improvements gained from 30 years of experience of its predecessor in the field. The 8060CS has been replaced with the 8050CS incorporating the same improvements.